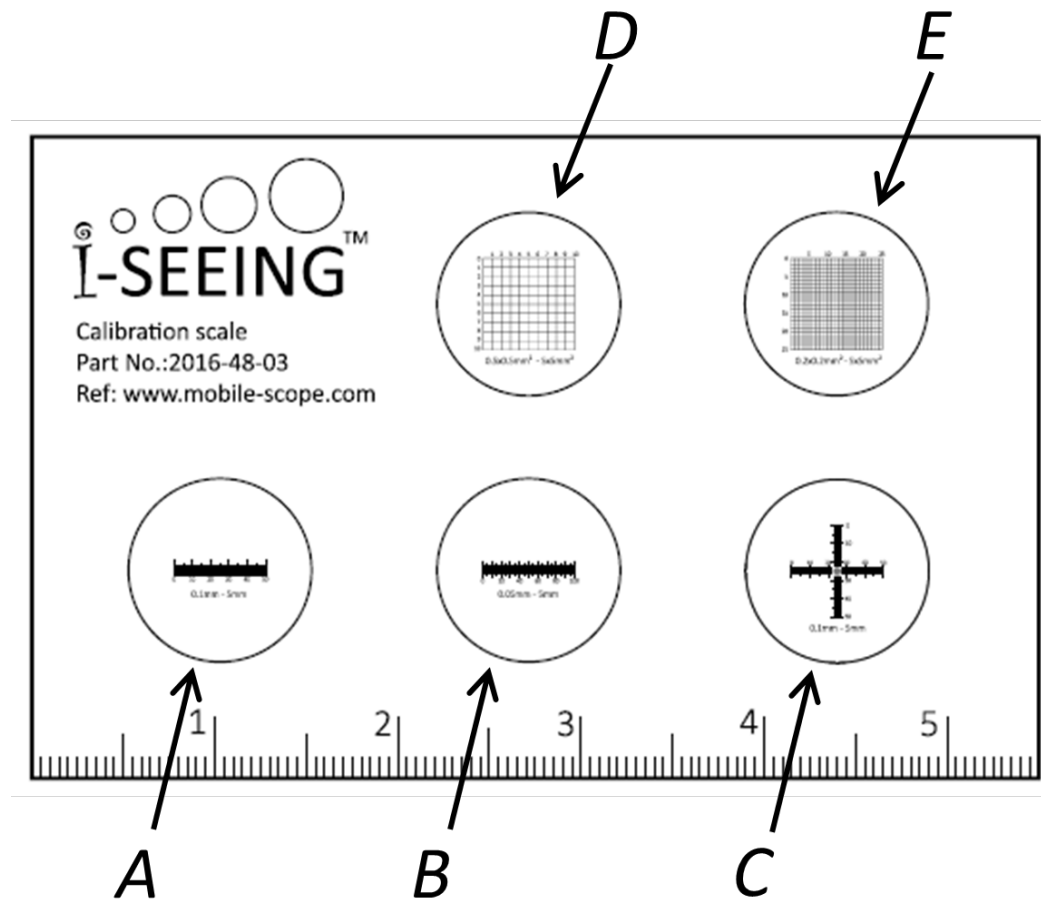


μRuler M 2016-48-03



5 patterns:

- A. 5mm line with 0.1mm div
- B. 5mm line with 0.05mm div
- C. 5mm cross with 0.1mm div
- D. 5mm grid with 0.5mm div
- E. 5mm grid with 0.2mm div

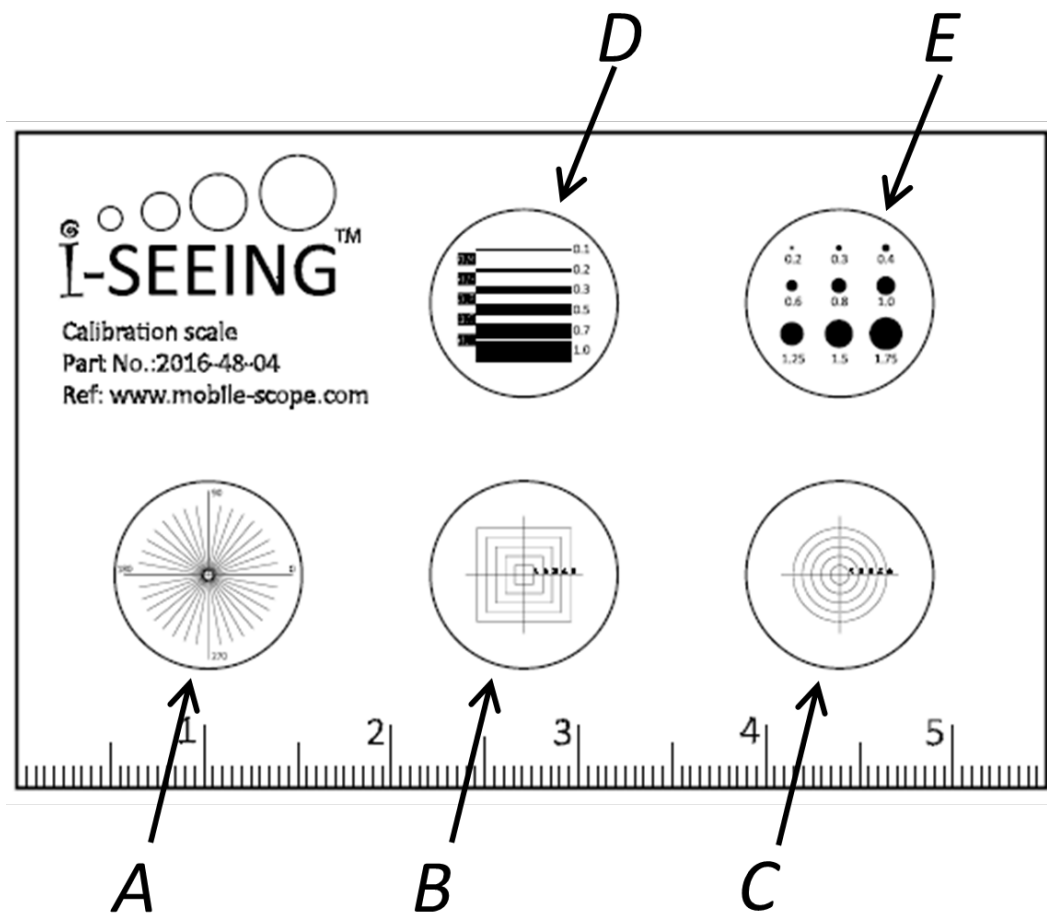
Tolerance:

$\pm 0.005\text{mm}$

Substrate:

Fuji film, 6X4cm, 0.2mm thick, covered with protective film
Please remove the protective film for best results

μRuler Q 2016-48-04



5 patterns:

- A. Angular line of 10 degree div
- B. Squares 1 - 5mm with 0.5mm div grid
- C. Circles 1 - 5mm diameter
- D. Lines with 0.1 - 1.0mm thick
- E. Round dots with 0.2 – 1.75mm diameter

Tolerance:

±0.005mm

Substrate:

PET, 6X4cm, 0.2mm thick, covered with protective film
Please remove the protective film for best results